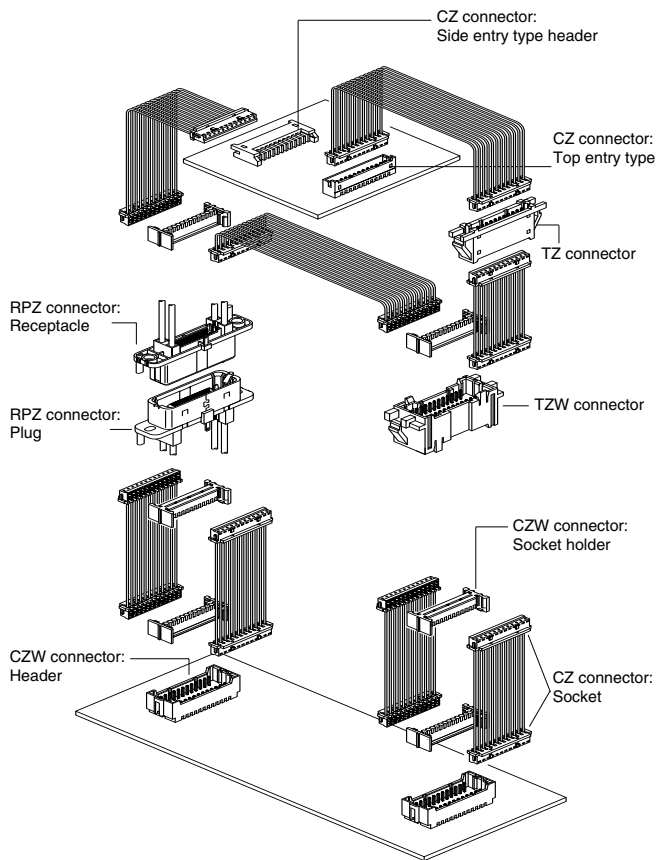


CZ FAMILY SERIES/CZ·CZW·CZH·CZHW·TZ·TZW

1.5mm pitch/Disconnectable Insulation displacement connectors



※ CZ connector used for the harness shown in the above-mentioned figure can be replaced to CZH connector.

Based upon the 1.5mm pitch CZ connectors, the CZ family connectors have been expanded to meet the requirements of high density packaging. The CZW connector holder allows dual-row wire-to-board connection using the CZ sockets, while the TZ (single-row) or TZW (dual-row) allows wire-to-wire connection, also using the CZ sockets.

CZ connector

- Distortion resistant construction
- Compact and low profile

CZW connector

- Low insertion force
- Locking construction

CZH connector

- Housing lance
- Int interchangeability

TZ/TZW connectors

- The TZ connector is applicable to single-row connection, while the TZW connector is for dual-row connection.
- Applicable to wide range of panel thickness
- The design of the panel lock part does not allow the wires to be caught there before mounting on the panel.

Standards

- Ⓜ Recognized E60389
- Ⓢ Certified LR20812

Specifications

Item	Series	CZ/CZW connector	CZH/CZHW connector	TZ/TZW connectors
Current rating		2 A AC, DC (AWG #26)		
Voltage rating		100 V AC, DC		
Temperature rise		-25°C to +85°C (including temperature rise)		
Contact resistance		Initial value / 10 mΩ max. After environmental testing / 20 mΩ max.		Initial value / 20 mΩ max. After environmental tests / 40 mΩ max.
Insulation resistance		500 MΩ min		
Withstanding voltage		500 VAC/minute		
Applicable wire		UL10272 (Contact JST for other UL style wires.) AWG #28, #26 Conductor / 7-strands, tinned annealed copper Insulation O.D. / 0.7 to 0.83 mm	AWG #28 to #26	—
Applicable PC board thickness		1.6 mm		
Applicable panel thickness		—		0.5 to 2 mm

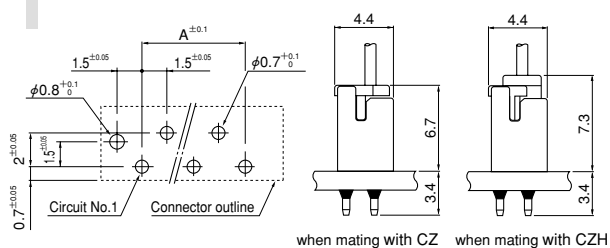
* Refer to "General Instruction and Notice when using Terminals and Connectors" at the end of this catalog.

* Contact JST for details.

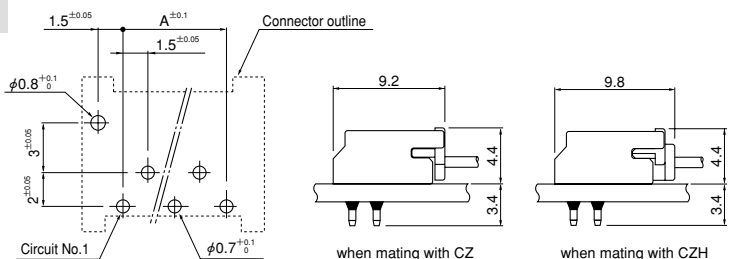
* Compliant with RoHS.

<CZ connector through-hole type>

Top entry type



Side entry type



Note: 1. The above figure is the figure viewed from the connector mounting side.

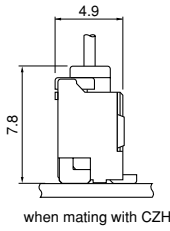
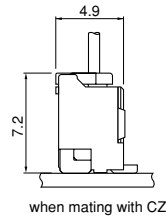
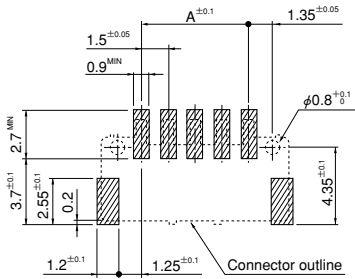
2. Tolerances are non-cumulative: ±0.05mm for all centers.

3. Hole dimensions differ according to the type of PC board and piercing method. The dimensions above should serve as a guideline. Contact JST for details.

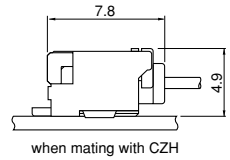
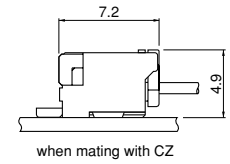
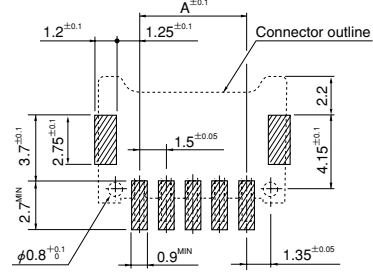
CZ FAMILY SERIES / CZ · CZW · CZH · CZHW · TZ · TZW

<CZ connector SMT type>

Top entry type

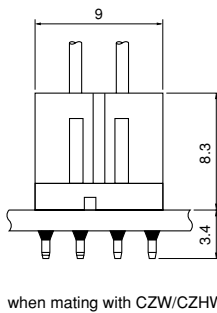
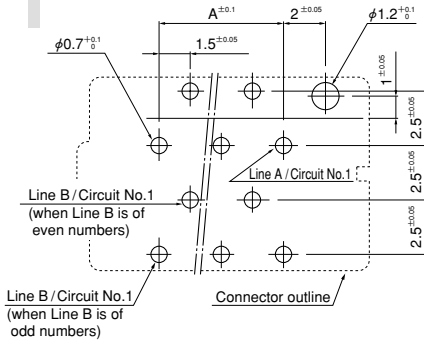


Side entry type

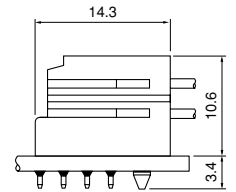
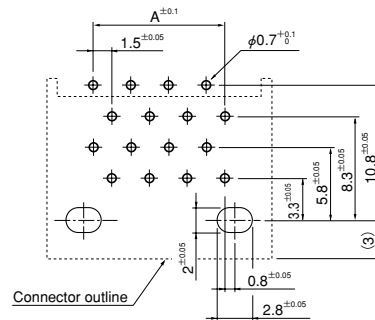


<CZW connector through-hole type>

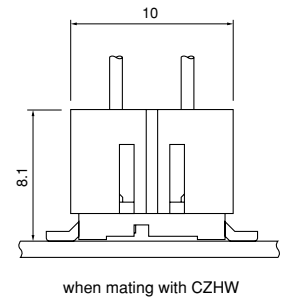
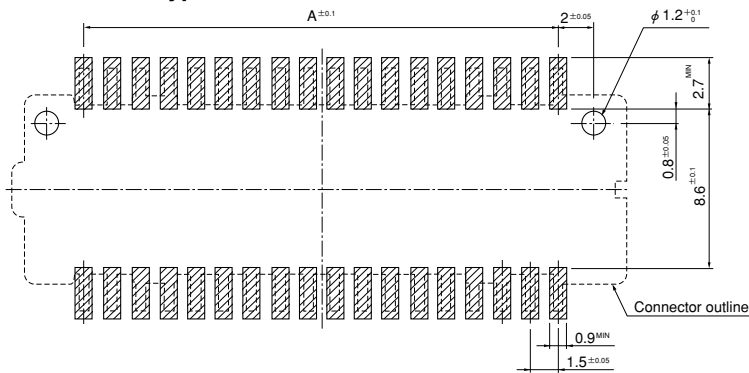
Top entry type



Side entry type



<CZW connector SMT type>

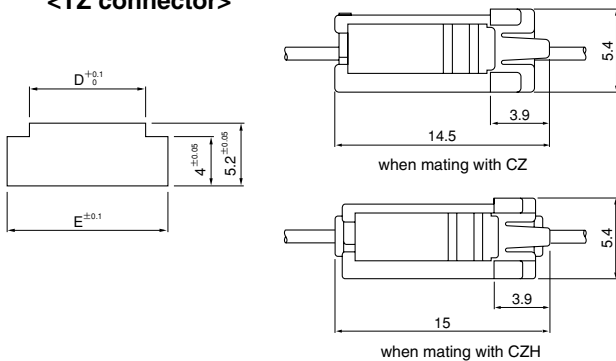


Note: 1. The above figure is the figure viewed from the connector mounting side.

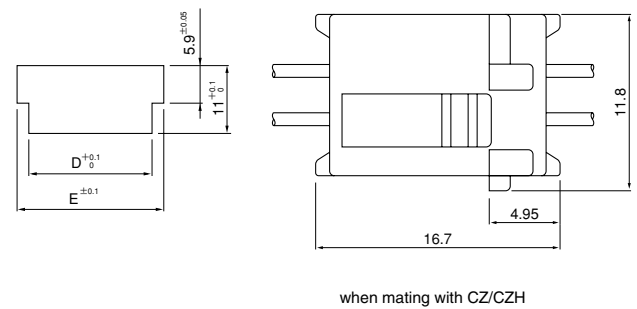
2. Tolerances are non-cumulative: ±0.05mm for all centers.

3. Hole dimensions differ according to the type of PC board and piercing method. The dimensions above should serve as a guideline. Contact JST for details.

<TZ connector>



<TZW connector>

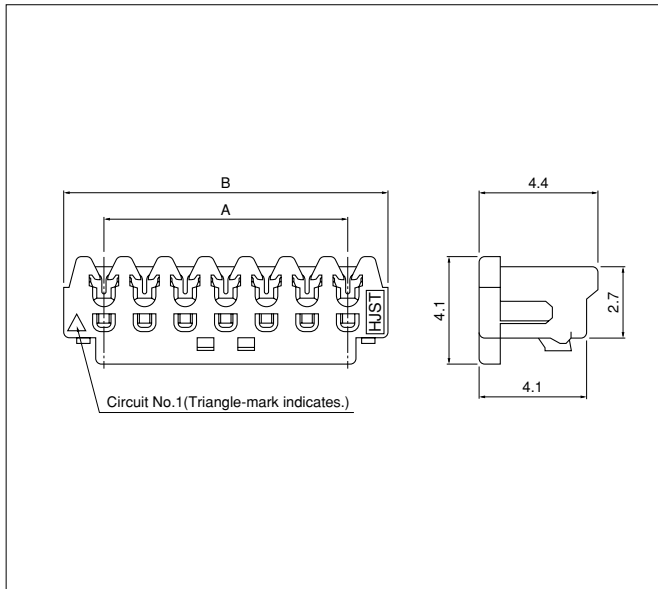


D,E dimensions: Refer to TZ connector (Until for wire-to-wire connection).

D,E dimensions: Refer to TZ connector (Dual-row until for wire-to-wire connection).

CZ FAMILY SERIES / CZ · CZW · CZH · CZHW · TZ · TZW

CZ connector socket



Circuits	Model No.		Dimensions (mm)		Q'ty / box
	Gray	Yellow	A	B	
2	02CZ-6H	02CZ-6Y	1.5	4.5	2,000
3	03CZ-6H	03CZ-6Y	3.0	6.0	2,000
4	04CZ-6H	04CZ-6Y	4.5	7.5	2,000
5	05CZ-6H	05CZ-6Y	6.0	9.0	2,000
6	06CZ-6H	06CZ-6Y	7.5	10.5	2,000
7	07CZ-6H	07CZ-6Y	9.0	12.0	2,000
8	08CZ-6H	08CZ-6Y	10.5	13.5	2,000
9	09CZ-6H	09CZ-6Y	12.0	15.0	1,000
10	10CZ-6H	10CZ-6Y	13.5	16.5	1,000
11	11CZ-6H	11CZ-6Y	15.0	18.0	1,000
12	12CZ-6H	12CZ-6Y	16.5	19.5	1,000
13	13CZ-6H	13CZ-6Y	18.0	21.0	1,000
14	14CZ-6H	14CZ-6Y	19.5	22.5	1,000
15	15CZ-6H	15CZ-6Y	21.0	24.0	1,000
16	16CZ-6H	16CZ-6Y	22.5	25.5	1,000
17	17CZ-6H	17CZ-6Y	24.0	27.0	1,000
18	18CZ-6H	18CZ-6Y	25.5	28.5	1,000
19	19CZ-6H	19CZ-6Y	27.0	30.0	1,000
20	20CZ-6H	20CZ-6Y	28.5	31.5	1,000

Material and Finish

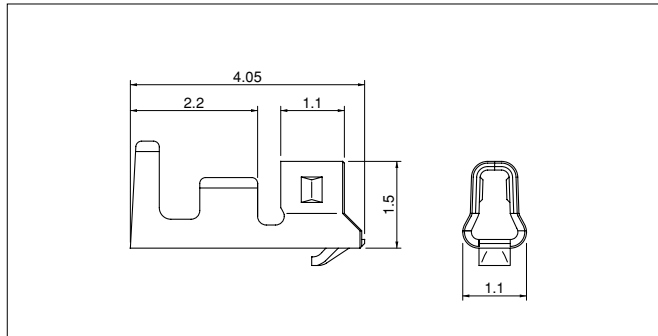
Contact: Phosphor bronze, tin-plated (reflow treatment)
Housing: Glass-filled PA 66, UL94V-0

RoHS compliance

<For reference> As the color identification, the following alphabet shall be put in the underlined part.
For availability, delivery and minimum order quantity, contact JST.

ex. **02CZ-6H**
Y...yellow H...natural (grayish color)

CZH connector contact



Model No.	Applicable wire		Insulation O.D. (mm)	Q'ty / reel
	mm ²	AWG #		
SCZH-002T-P0.5	0.08~0.13	28~26	0.8~1.1	13,000

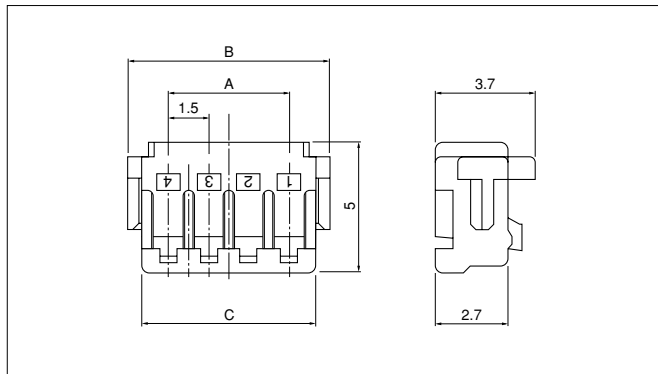
Material and Finish

Phosphor bronze, tin-plated (reflow treatment)

RoHS compliance

Contact	Crimping machine	Applicator		
		Crimp applicator	Dies	Crimp applicator with dies
SCZH-002T-P0.5	AP-K2N	MKS-L	MK/SCZH-002-05	APLMK SCZH002-05

CZH connector housing



Circuits	Model No.	Dimensions (mm)			Q'ty / box
		A	B	C	
2	CZHR-02V-S	1.5	4.5	3.5	1,000
3	CZHR-03V-S	3.0	6.0	5.0	1,000
4	CZHR-04V-S	4.5	7.5	6.5	1,000
5	CZHR-05V-S	6.0	9.0	8.0	1,000
6	CZHR-06V-S	7.5	10.5	9.5	1,000
7	CZHR-07V-S	9.0	12.0	11.0	1,000
8	CZHR-08V-S	10.5	13.5	12.5	1,000
9	CZHR-09V-S	12.0	15.0	14.0	1,000
10	CZHR-10V-S	13.5	16.5	15.5	1,000
11	CZHR-11V-S	15.0	18.0	17.0	1,000
12	CZHR-12V-S	16.5	19.5	18.5	1,000
13	CZHR-13V-S	18.0	21.0	20.0	1,000
14	CZHR-14V-S	19.5	22.5	21.5	1,000
15	CZHR-15V-S	21.0	24.0	23.0	1,000
16	CZHR-16V-S	22.5	25.5	24.5	1,000
17	CZHR-17V-S	24.0	27.0	26.0	1,000
19	CZHR-19V-S	27.0	30.0	29.0	1,000
20	CZHR-20V-S	28.5	31.5	30.5	1,000

Material

PBT, UL94V-0, natural (white)

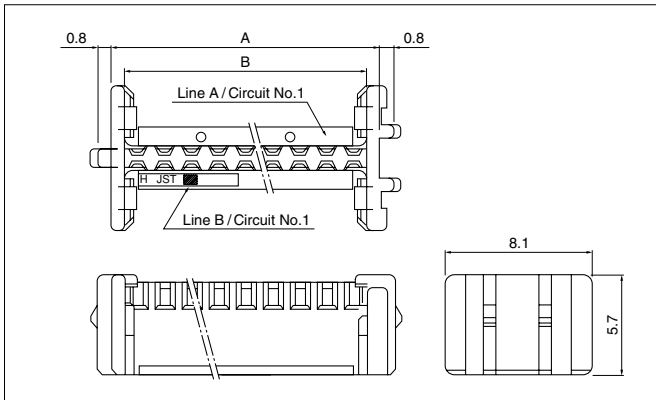
RoHS compliance

<For reference> As the color identification, the following alphabet shall be put in the underlined part.
For availability, delivery and minimum order quantity, contact JST.

ex. **CZHR-02V-S**
S...natural (white)
K...black H...gray Y...yellow

CZ FAMILY SERIES / CZ · CZW · CZH · CZHW · TZ · TZW

CZW connector holder

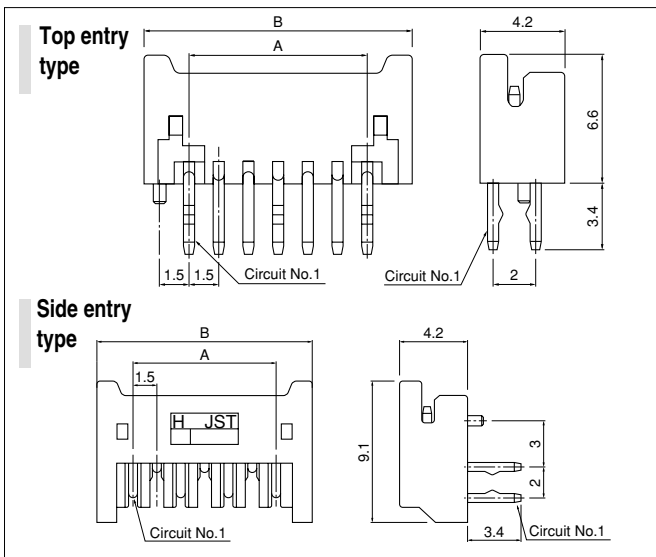


Circuits	Model No.	Dimensions (mm)		Q'ty / box
		A	B	
16	CZWH-16-S	14.9	13.5	1,000
18	CZWH-18-S	16.4	15.0	1,000
20	CZWH-20-S	17.9	16.5	1,000
22	CZWH-22-S	19.4	18.0	1,000
24	CZWH-24-S	20.9	19.5	1,000
26	CZWH-26-S	22.4	21.0	1,000
28	CZWH-28-S	23.9	22.5	1,000
30	CZWH-30-S	25.4	24.0	1,000
32	CZWH-32-S	26.9	25.5	1,000
34	CZWH-34-S	28.4	27.0	1,000
36	CZWH-36-S	29.9	28.5	1,000
38	CZWH-38-S	31.4	30.0	1,000
40	CZWH-40-S	32.9	31.5	1,000

Material
PBT, UL94V-0, natural (white)

RoHS compliance

CZ connector through-hole type shrouded header



Circuits	Model No.		Dimensions (mm)		Q'ty / box	
	Top entry type	Side entry type	A	B	Top entry type	Side entry type
2	B02B-CZHK-B-1	S02B-CZHK-B-1	1.5	6.0	2,072	1,480
3	B03B-CZHK-B-1	S03B-CZHK-B-1	3.0	7.5	1,624	1,160
4	B04B-CZHK-B-1	S04B-CZHK-B-1	4.5	9.0	1,344	960
5	B05B-CZHK-B-1	S05B-CZHK-B-1	6.0	10.5	1,176	840
6	B06B-CZHK-B-1	S06B-CZHK-B-1	7.5	12.0	1,008	720
7	B07B-CZHK-B-1	S07B-CZHK-B-1	9.0	13.5	896	640
8	B08B-CZHK-B-1	S08B-CZHK-B-1	10.5	15.0	784	560
9	B09B-CZHK-B-1	S09B-CZHK-B-1	12.0	16.5	728	520
10	B10B-CZHK-B-1	S10B-CZHK-B-1	13.5	18.0	672	480
11	B11B-CZHK-B-1	S11B-CZHK-B-1	15.0	19.5	616	440
12	B12B-CZHK-B-1	S12B-CZHK-B-1	16.5	21.0	560	400
13	B13B-CZHK-B-1	S13B-CZHK-B-1	18.0	22.5	504	360
14	B14B-CZHK-B-1	S14B-CZHK-B-1	19.5	24.0	504	360
15	B15B-CZHK-B-1	S15B-CZHK-B-1	21.0	25.5	448	320
16	B16B-CZHK-B-1	S16B-CZHK-B-1	22.5	27.0	448	320
17	B17B-CZHK-B-1	S17B-CZHK-B-1	24.0	28.5	392	280
18	B18B-CZHK-B-1	S18B-CZHK-B-1	25.5	30.0	392	280
19	B19B-CZHK-B-1	S19B-CZHK-B-1	27.0	31.5	392	280
20	B20B-CZHK-B-1	S20B-CZHK-B-1	28.5	33.0	336	240

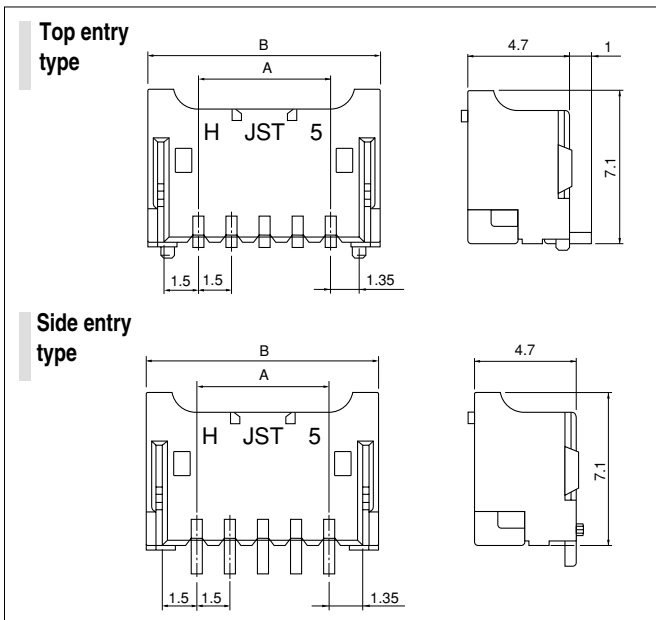
Material and Finish

Pin: Copper alloy, copper-undercoated, tin-plated (reflow treatment)
Wafer: Glass-filled PA 66, UL94V-0, natural (grayish color)
Note: Models B()/B-CZHK-B are the headers without the boss.
Note: Models S()/B-CZHK-B are the headers without the boss.

RoHS compliance This product displays (LF)(SN) on a label.

<For reference> As the color identification, the following alphabet shall be put in the underlined part. For availability, delivery and minimum order quantity, contact JST.
ex. **B02B-CZHK-B-1** H...natural (grayish color) Y...yellow K...black

CZ connector SMT type shrouded header



Circuits	Model No.		Dimensions (mm)		Q'ty / reel	
	Top entry type	Side entry type	A	B	Top entry type	Side entry type
2	BM02B-CZSS-1-TF	SM02B-CZSS-1-TB	1.5	6.0	800	1,250
4	BM04B-CZSS-1-TF	SM04B-CZSS-1-TB	4.5	9.0	800	1,250
5	BM05B-CZSS-1-TF	SM05B-CZSS-1-TB	6.0	10.5	800	1,250
6	BM06B-CZSS-1-TF	SM06B-CZSS-1-TB	7.5	12.0	800	1,250
8	BM08B-CZSS-1-TF	SM08B-CZSS-1-TB	10.5	15.0	800	1,250
10	BM10B-CZSS-1-TF	SM10B-CZSS-1-TB	13.5	18.0	800	1,250
13	BM13B-CZSS-1-TF	SM13B-CZSS-1-TB	18.0	22.5	800	1,250
14	BM14B-CZSS-1-TF	—	19.5	24.0	800	—
15	BM15B-CZSS-1-TF	—	21.0	25.5	800	—
16	BM16B-CZSS-1-TF	SM16B-CZSS-1-TB	22.5	27.0	800	1,250
17	BM17B-CZSS-1-TF	—	24.0	28.5	800	—
20	BM20B-CZSS-1-TF	—	28.5	33.0	800	—

Material and Finish

Pin: Copper alloy, copper-undercoated, tin-plated (reflow treatment)
Wafer: PA, UL94V-0, natural (ivory)
Solder tab: Copper alloy, copper-undercoated, tin-plated (reflow treatment)
Note: Models BM()/B-CZSS-TF are the headers without the boss.
Note: Models SM()/B-CZSS-TB are the headers without the boss.

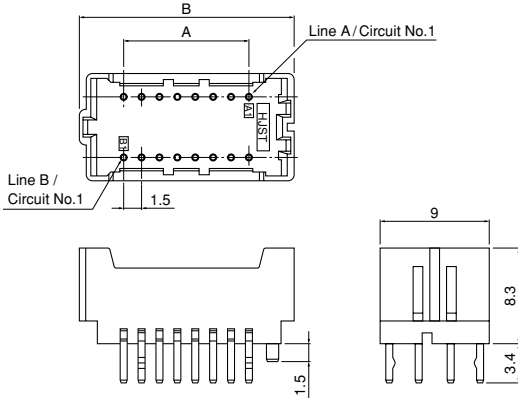
RoHS compliance This product displays (LF)(SN) on a label.

<For reference> As the color identification, the following alphabet shall be put in the underlined part. For availability, delivery and minimum order quantity, contact JST.
ex. **B02B-CZSS-1-TF** S...natural (ivory) H...gray

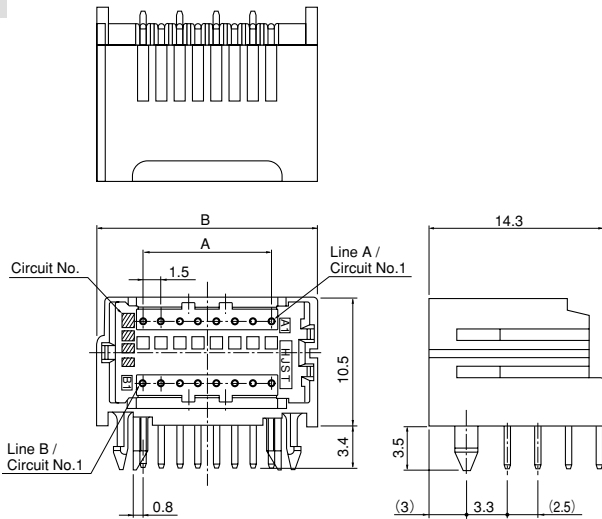
CZ FAMILY SERIES / CZ · CZW · CZH · CZHW · TZ · TZW

CZW connector through-hole type shrouded header

Top entry type



Side entry type



Circuits	Model No.		Dimensions (mm)		Q'ty / box	
	Top entry type	Side entry type	A	B	Top entry type	Side entry type
16	B16B-CZWHK-B-1	—	10.5	18.0	420	—
18	B18B-CZWHK-B-1	—	12.0	19.5	385	—
20	B20B-CZWHK-B-1	S20B-CZWHS-B-1	13.5	21.0	350	280
22	B22B-CZWHK-B-1	—	15.0	22.5	315	—
24	B24B-CZWHK-B-1	—	16.5	24.0	315	—
26	B26B-CZWHK-B-1	S26B-CZWHS-B-1	18.0	25.5	280	224
28	B28B-CZWHK-B-1	—	19.5	27.0	280	—
30	B30B-CZWHK-B-1	—	21.0	28.5	245	—
32	B32B-CZWHK-B-1	—	22.5	30.0	245	—
34	B34B-CZWHK-B-1	—	24.0	31.5	245	—
36	B36B-CZWHK-B-1	—	25.5	33.0	210	—
38	B38B-CZWHK-B-1	—	27.0	34.5	210	—
40	B40B-CZWHK-B-1	S40B-CZWHS-B-1	28.5	36.0	210	168

Material and Finish

Pin: Copper alloy, copper-undercoated, tin-plated (reflow treatment)

Wafer: Glass-filled PA 66, UL94V-0, natural (grayish color)

Note: Models B()B-CZW~~H~~K-B are the headers without the boss.

RoHS compliance This product displays (LF)(SN) on a label.

<For reference> As the color identification, the following alphabet shall be put in the underlined part. For availability, delivery and minimum order quantity, contact JST.

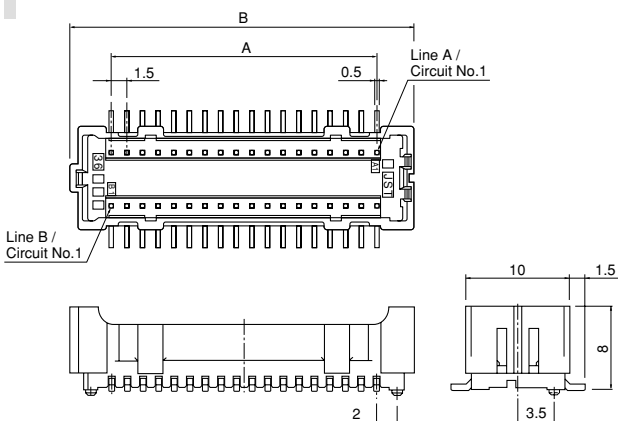
ex. **B16B-CZW~~H~~K-B-1**

H...natural (grayish color)

Y...yellow

CZW connector SMT type shrouded header

Top entry type



Circuits	Model No.	Dimensions (mm)		Q'ty / reel
		A	B	
36	BM36B-CZWSS-1-TF	25.5	33.0	300
40	BM40B-CZWSS-1-TF	28.5	36.0	300

Material and Finish

Press pin: Copper alloy, copper-undercoated, tin-plated (reflow treatment)

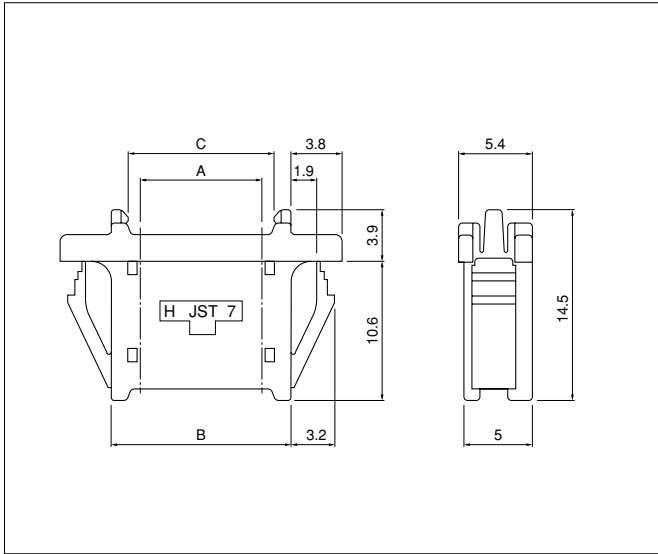
Wafer: PA, UL94V-0, natural (ivory)

Note: Models BM()B-CZW~~S~~S-TF are the headers without the boss.

RoHS compliance This product displays (LF)(SN) on a label.

CZ FAMILY SERIES / CZ • CZW • CZH • CZHW • TZ • TZW

TZ connector (Unit for wire-to-wire connection)



Circuits	Model No.	Dimensions (mm)					Qty / box
		A	B	C	D	E	
2	BU02P-TZ-S	1.5	5.9	3.5	6.3	9.9	500
3	BU03P-TZ-S	3.0	7.4	5.0	7.8	11.4	500
4	BU04P-TZ-S	4.5	8.9	6.5	9.3	12.9	500
5	BU05P-TZ-S	6.0	10.4	8.0	10.8	14.4	500
6	BU06P-TZ-S	7.5	11.9	9.5	12.3	15.9	250
7	BU07P-TZ-S	9.0	13.4	11.0	13.8	17.4	250
8	BU08P-TZ-S	10.5	14.9	12.5	15.3	18.9	250
9	BU09P-TZ-S	12.0	16.4	14.0	16.8	20.4	250
10	BU10P-TZ-S	13.5	17.9	15.5	18.3	21.9	250
11	BU11P-TZ-S	15.0	19.4	17.0	19.8	23.4	250
12	BU12P-TZ-S	16.5	20.9	18.5	21.3	24.9	250
13	BU13P-TZ-S	18.0	22.4	20.0	22.8	26.4	250
14	BU14P-TZ-S	19.5	23.9	21.5	24.3	27.9	250
15	BU15P-TZ-S	21.0	25.4	23.0	25.8	29.4	250
16	BU16P-TZ-S	22.5	26.9	24.5	27.3	30.9	250
17	BU17P-TZ-S	24.0	28.4	26.0	28.8	32.4	250
18	BU18P-TZ-S	25.5	29.9	27.5	30.3	33.9	150
19	BU19P-TZ-S	27.0	31.4	29.0	31.8	35.4	150
20	BU20P-TZ-S	28.5	32.9	30.5	33.3	36.9	100

Material and Finish

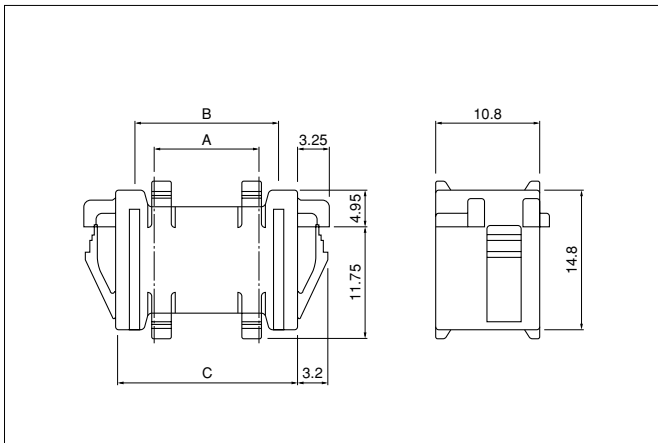
Pin: Copper alloy, copper-undercoated, tin-plated (reflow treatment)

Housing: PA 66, UL94V-0, natural (white)

RoHS compliance This product displays (LF)(SN) on a label.

Note: D and E dimensions; Refer to the panel layout of TZ connector (P2).

TZW connector (Dual-row unit for wire-to-wire connection)



Circuits	Model No.	Dimensions (mm)					Qty / box
		A	B	C	D	E	
16	BU16P-TZW-S	10.5	15.0	19.0	19.4	23.0	160
18	BU18P-TZW-S	12.0	16.5	20.5	20.9	24.5	140
20	BU20P-TZW-S	13.5	18.0	22.0	22.4	26.0	140
22	BU22P-TZW-S	15.0	19.5	23.5	23.9	27.5	140
24	BU24P-TZW-S	16.5	21.0	25.0	25.4	29.0	120
26	BU26P-TZW-S	18.0	22.5	26.5	26.9	30.5	120
28	BU28P-TZW-S	19.5	24.0	28.0	28.4	32.0	120
30	BU30P-TZW-S	21.0	25.5	29.5	29.9	33.5	100
32	BU32P-TZW-S	22.5	27.0	31.0	31.4	35.0	100
34	BU34P-TZW-S	24.0	28.5	32.5	32.9	36.5	100
36	BU36P-TZW-S	25.5	30.0	34.0	34.4	38.0	100
38	BU38P-TZW-S	27.0	31.5	35.5	35.9	39.5	100
40	BU40P-TZW-S	28.5	33.0	37.0	37.4	41.0	80

Material and Finish

Pin: Copper alloy, copper-undercoated, tin-plated (reflow treatment)

Housing: PA 66, UL94V-0, natural (white)

RoHS compliance This product displays (LF)(SN) on a label.

Note: D and E dimensions; Refer to the panel layout of TZW connector (P2).